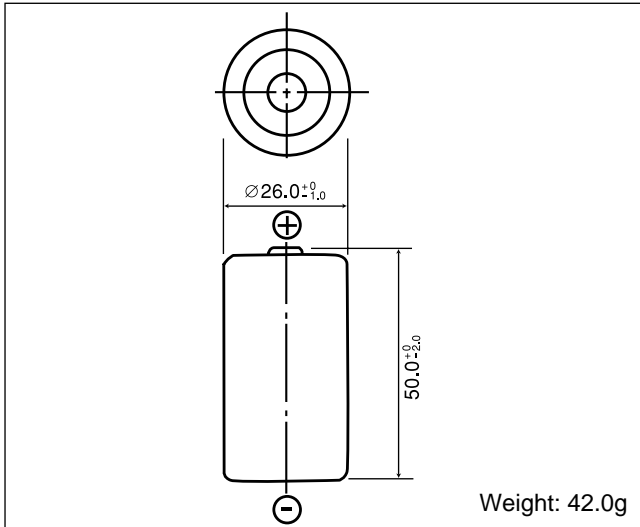


# BR-C

## ■ Dimensions(mm)



## ■ Specification

Nominal voltage(V)	3
Nominal capacity(mAh)	5,000
Continuous standard load(mA)	5.0
Operating temperature(°C)	-40 ~ +85

## ■ Temperature Characteristics

