



SBL 100-12i(sh)

12V 100Ah

SBL 100-12i(sh) is a high performance battery with 10-12 years lifetime in standby service or more than 400 cycles at 50% depth of discharge in cycle service.

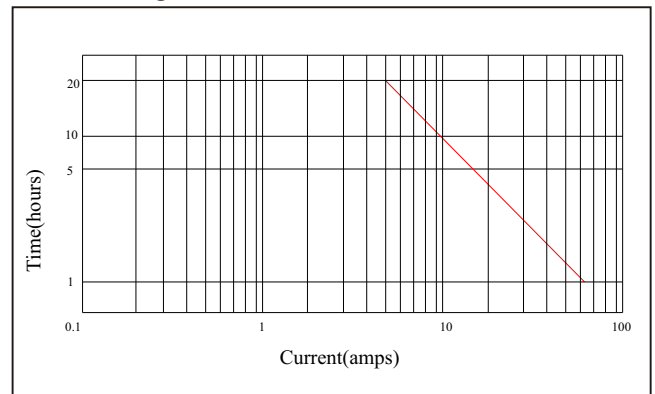
☆ SPECIFICATION

● NOMINAL VOLTAGE	: 12V
● NOMINAL CAPACITY(20 hr)	: 100Ah
● DIMENSIONS	
TOTAL HEIGHT	: 222 mm (8.74 inches)
CONTAINER HEIGHT	: 215 mm (8.46 inches)
LENGTH	: 330 mm (13.0 inches)
WIDTH	: 171 mm (6.73 inches)
● WEIGHT	: APPROX 32Kg (70.5 lbs)
● CONTAINER MATERIAL	: UL94HB ABS
	: UL94V-0 ABS
● INTERNAL RESISTANCE(25°C , 77 °F)	: ~5m
● DISCHARGE CAPACITY UNDER DIFFERENT TEMPERATURES	
40°C	: ~102%
25°C	: ~100%
0 °C	: ~85%

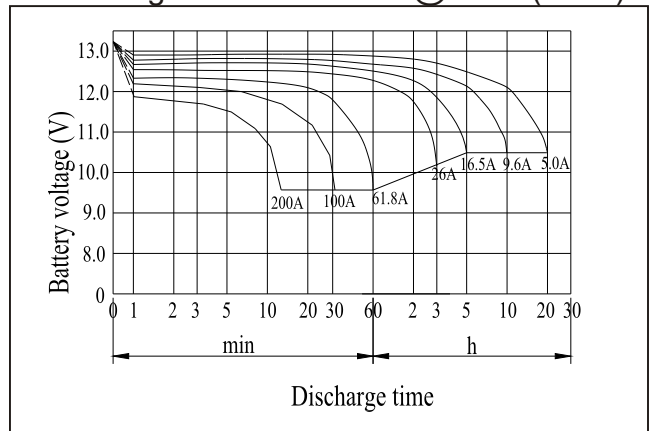
☆ CHARACTERISTICS

● CAPACITY 25°C/77°F	
20hr @ 5A	:100 Ah
5hr @ 16.5A	: 82.5Ah
1hr @ 61.8A	: 61.8Ah
1C @ 100A	: 50Ah
● CAPACITY 25°C/77°F	
STANDBY USE	:13.65V±0.15V
CYCLE USE	:14.7V ± 0.3V
● MAX DISCHARGE CURRENT	:900A(5sec)
● MAX CHARGING CURRENT	:30A
● SELF-DISCHARGE RESIDUAL CAPACITY	
AFTER 3 MONTHS	:~90%
AFTER 6 MONTHS	:~82%
AFTER 12 MONTHS	:~70%

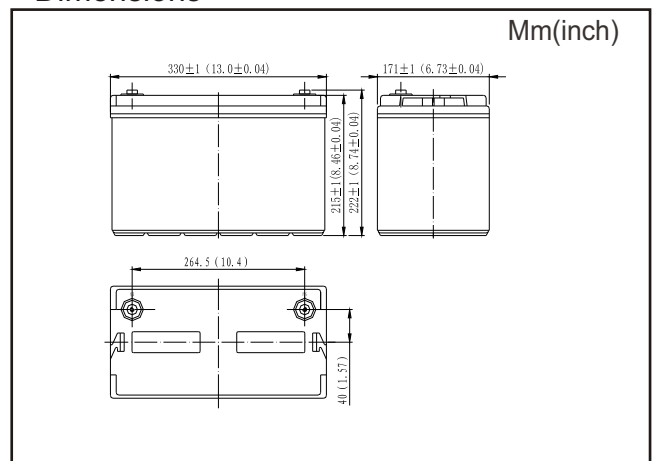
☆ Discharge Current vs Time



☆ Discharge Characteristics @25 °C (77 °F)



☆ Dimensions



☆ Terminal

