


Country of Origin : China  
 Operating Temperature : 0~40 [°C]  
 Dimension : 63.6 x 29.5 x 45.6 [mm]  
 Efficiency level (ErP) :   
 Approvals / Marks :



**Features:**

Available in version: W2E(EU), W2(USA/Japan/Canada/Taiwan), W3U(UK), W2A (Australia), W2C (China), W2K(Korea).

Wall-mount power supply, single output.

Overload, over voltage & short protection.

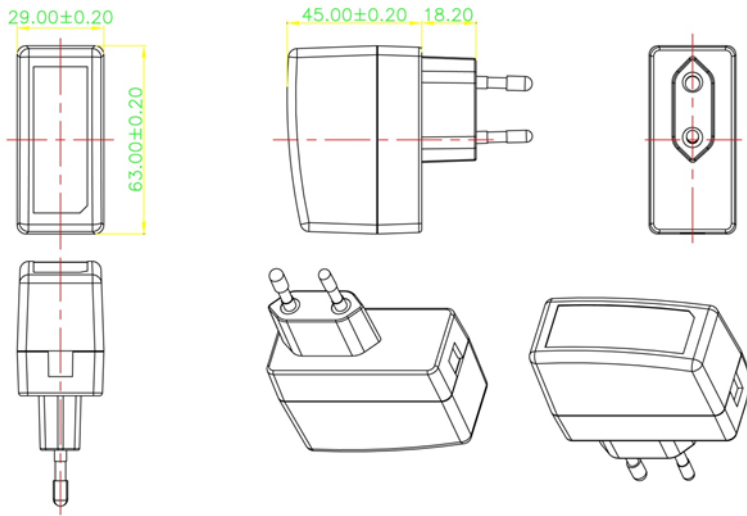
Wide range Input (90 ~ 264) VAC / (47 ~ 63) Hz.

For I.T.E. use only + RoHS conform.

**Specification:**

	Model	Voltage DC [V]	Loading [A]	Total regul. [%]	OCP [A]	OVP [V]	Hold up time [ms]	Efficiency [%]	Max. Power [W]	Ripple & Noise [mV] p-p	Connector [mm]
ErP V.	SYS1381-1005-Wxx	5	0~2.0	±5	2.4~5.0	10±4	8	>73.4	10	80	1.7x4.0x11
	SYS1381-1005-Wxx	5	0~2.0	±5	2.4~5.0	10±4	8	>73.4	10	80	2.1x5.5x11
	SYS1381-1005-Wxx	5	0~2.0	±5	2.4~5.0	10±4	8	>73.4	10	80	2.5x5.5x11
	SYS1381-0606-Wxx	6	0~1.0	±5	1.3~3.5	10±3	10	>70.0	6	120	2.1x5.5x11
	SYS1381-0808-Wxx	7,5	0~1.07	±5	1.3~3.5	16±7	8	>72.0	8	130	2.1x5.5x11
	SYS1381-0909-Wxx	9	0~1.0	±5	1.5~3.5	15±4	8	>73.0	9	130	2.1x5.5x11
	SYS1381-1212-Wxx	12	0~1.0	±5	1.2~3.5	18±4	8	>77.8	12	180	2.1x5.5x11
ErP V. / CE only	SYS1381-1224-Wxx	24	0~0.5	±5	0.7~1.5	40±4	8	>77.8	12	240	2.1x5.5x11
	SYS1381-1215-Wxx	15	0~0.8	±5	1.0~3.0	21±4	8	>77.8	12	240	2.1x5.5x11
<b>Wxx</b>	Possible to order with	Wxx = W2E - Europe   W2 - USA,Canada,Japan   W3U - UK   W2A - Australia   W2C - China   W2K -Korea									
<b>OEM Production</b>	This model is certified for Output: Uout[V]/Pout[W]max : (5/10, 6/6, 7.5/8, 9/9,12/12). Pout=by 1W steps										
<b>OUTPUT</b>	Turn on delay	5000 ms max									
	Hold up time	Ref. upon table @ AC nominal input@ output full load (1 half cycle)									
	Efficiency (Normal)	>70% @ 240VAC input & Full load									
<b>INPUT</b>	Voltage	(90 ~ 264)VAC									
	Frequency	(47 ~ 63) Hz									
	Current	0.5A rms @ any input voltage and rated DC output rated load									
	Inrush Current (cold start)	40/60Amax. @ 264VAC input. Cold start at 240VAC input, with rated load and 25°C ambient									
	Leakage current	0.25 mA Max.									
	Power consumption	0.3W rms max. At AC nominal input@output min load									
<b>PROTECTION</b>	Over Current	The power supply will be auto recovered when over current faults remove. >>Fold back<<									
	Over Voltage	The power supply will not be auto recovered when faults remove >>Voltage limit<<									
	Short Circuit	The power supply will be auto recovered when short circuit faults remove. An output short circuit is defined as any output impedance of less than 0.1 Ω.									
	Protection class	II.									
<b>OTHERS</b>	Dielectric Strength(Hi-pot)	Primary to Secondary: 3000VAC / 10mA / 60s									
	M.T.B.F	50K hours full rated load operation at 25°C, according to the MIL-HDBK-217F.									
	Cable length	2wires. / 2468#22*2C   1370mm (4.5feet) or customer requirements									
	Input protection	1A Fuse, The power supply shall be protected against power line surges and any abnormal condition.									
	Temperature coefficient:	< ±0.5% / °C									
<b>ENVIRONMENT</b>	Temperature	Operating: (0 ~ 40)°C / Storage: (-20 ~ 85)°C									
	Humidity	Operating:8% ~ 90% RH / Storage: 5% ~ 95% RH non condensing									
<b>SAFETY</b>	CE   TUV/GS   CB   FCC   cULus   BSMI   VCCI   PSE   T-License   SAA   C-Tick  CCC   KC   S Mark   RCM										
<b>EMC</b>	EMI	EN 55022 Class B (2006)+ A1(2007) EN 61000-3-2 (2006) + A1(2009) + A2 Class A(2009)/EN 61000-3-3 (2008)									
	EMS	EN55024(1998)+A1(2001)+A2(2003)   IEC 61000-4-2 (2008)   IEC 61000-4-3 (2006) + A1(2007) + A2(2010) IEC 61000-4-4 (2004) + A1(2010)   IEC 61000-4-5 (2005)   IEC 61000-4-6 (2008)   IEC 61000-4-8 (2009)   IEC 61000-4-11 (2004)									
<b>WEIGHT</b>	1pc	N.W.: 90g/pc   G.W.: 100g/pc									
<b>PACKING</b>	Box	0.48(L) x 0.44(W) x 0.26(H) [m]   0.435(L) x 0.370(W) x 0.175(H) [m]									
		80pcs / 1box   (100pcs – 2011/2012) G.W.: 10 kg/box									

**Mechanical case specification:**



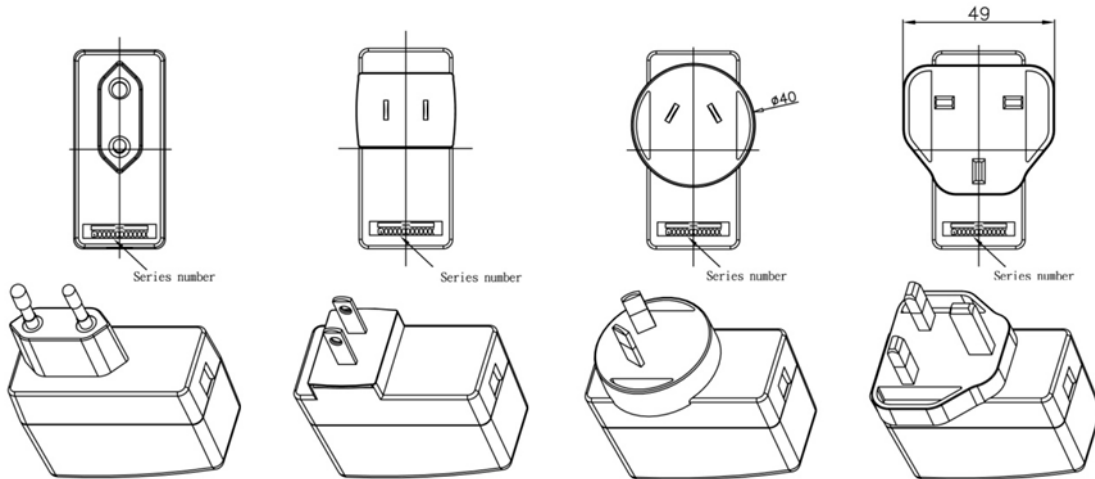
**Mechanical specification (country housing):**

Europe / Korea type (W2E/W2K)

US / Canada type (W2)

Australia type (W2A)

UK type (W3U)



**Cable specification:**

a) 2.1\*5.5\*11 (2468#22\*2C / 5FT)

