



30W AC-DC Single Output Wall Mount EU Type EA1030 series

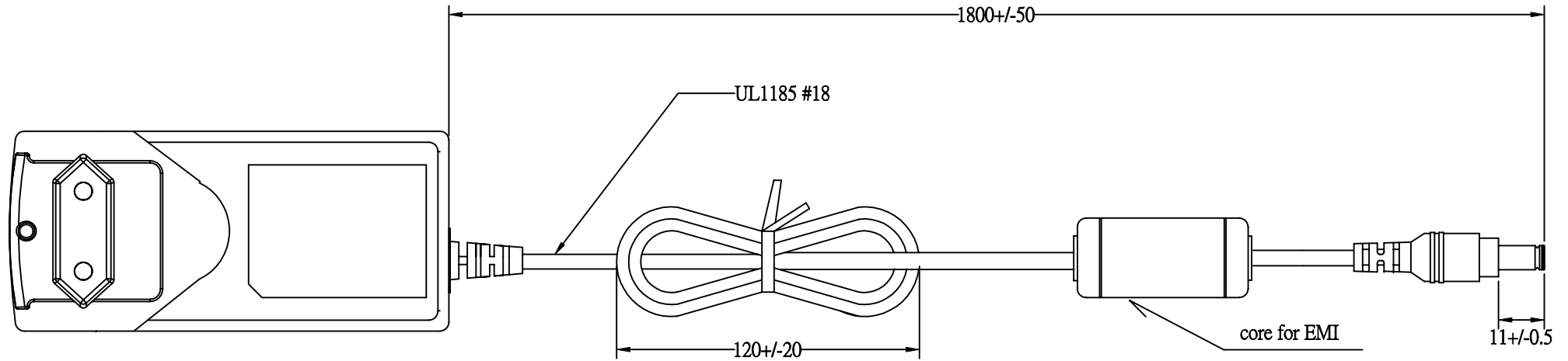
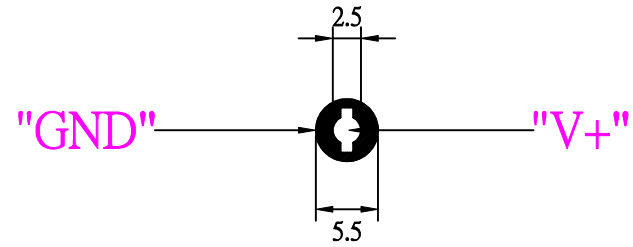
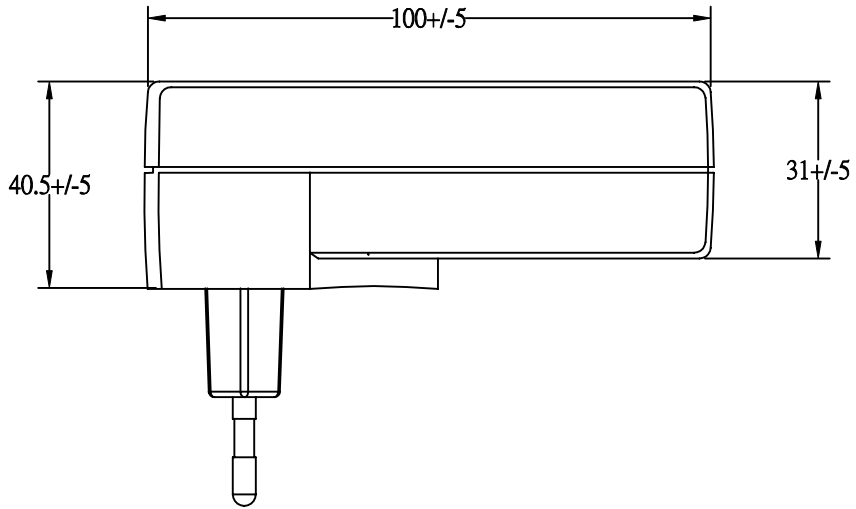


Features:

- CEC Efficiency Regulations Compliance(Optional)
- RoHS Compliance
- Over-Voltage Protective Installation
- Short-circuit Protective Installation
- Protection Type: Auto-Recovery
- Application: MP3,i-pod,POS,DVD...

SPECIFICATION

Model	EA1030AE	EA1030E	EA1030CE	EA1030DE
Item				
Output Voltage	5V~8V	9V~12V	13V~20V	21V~35V
Output Rating (Max.)	25W	30W	30W	30W
Output Current (Max.)	3.5A	3A	2.3A	1.42A
Input Voltage (Limit)	AC 90~264V			
Input Frequency	47~63Hz			
Line Regulation	1% Max.			
Load Regulation	+/- 5%			
Ripple & Noise	1.2% Max.	1% Max.	1% Max.	1% Max.
Efficiency	68% Typical	70% Typical	75% Typical	80% Typical
Over Voltage Protection	Yes			
Short circuit Protection	Yes			
Operating Temperature	0~40°C			
Storage Temperature	-20 C~85°C			
Class or Class	Class			
Safety Standards	EN60950-1			
Safety/EMC	CE,TUV			
Safety Standards	EN60065			
Safety/EMC	TUV			
MTBF	30,000 hours			
LED Indication	Yes			
Dimension	100L x 45W x 31H mm			
Approx. Weight	220 grams			
Standard Plug	Optional			



EDACPOWER ELECTRONICS CO., LTD.				APPROVED
MODEL	EA1030CE(04)	UNIT	mm	DESIGNED
color	BLACK	SCALE		CHECK
cus.		DATE	2006-11-24	DRAWING L.J.YU